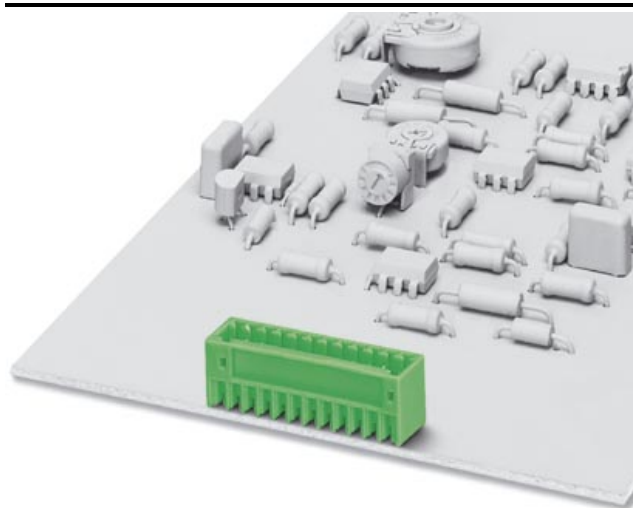


Please note that the data given here has been taken from the online catalog. For comprehensive information and data, please refer to the user documentation at <http://www.download.phoenixcontact.com>. The General Terms and Conditions of Use apply to Internet downloads.

## ▶ Extract from the online catalog



Header, nominal current: 4 A, rated voltage: 80 V,  
pitch: 2.5 mm, no. of positions: 6, mounting:  
Soldering

The illustration shows an 11-position version

Order No.	1881590
Ord designation	MCV 0,5/ 6-G-2,5
EAN	4017918156831
Pack	50 Pcs.
Customs tariff	85369010
Catalog page information	Page 81 (CC-2005)

## ▶ Technical data

### Dimensions / positions

Pitch	2.5 mm
Dimension a	12.5 mm
Number of positions	6
Pin dimensions	0,8 x 0,8 mm
Hole diameter	1.2 mm

**Technical data**

---

Insulating material group	I
Rated surge voltage (III/3)	1.5 kV
Rated surge voltage (III/2)	2.5 kV
Rated surge voltage (II/2)	2.5 kV
Rated voltage (III/2)	160 V
Rated voltage (II/2)	320 V
Connection in acc. with standard	EN-VDE
Nominal current $I_N$	4 A
Nominal voltage $U_N$	80 V
Maximum load current	4 A
Insulating material	PA
Inflammability class acc. to UL 94	V0

---

---

► **Certificates**

---

**CUL**

Nominal voltage  $U_N$  125 V

Nominal current  $I_N$  4 A

---

**UL**

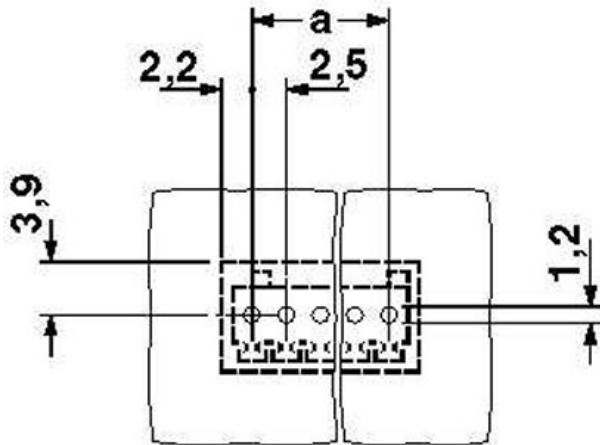
Nominal voltage  $U_N$  125 V

Nominal current  $I_N$  4 A

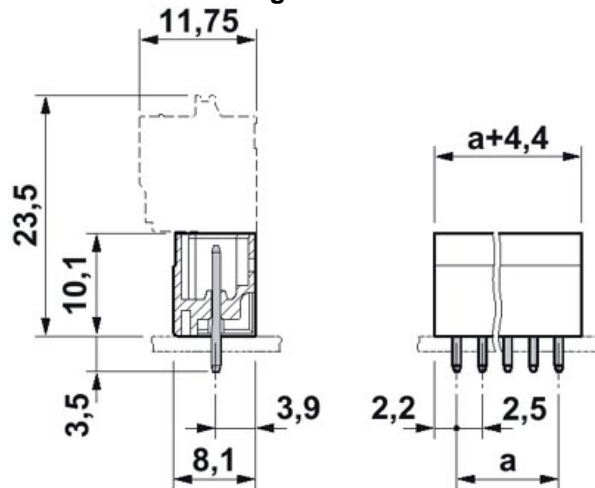
---

► Drawings

Drilling diagram



Dimensioned drawing



Approval logo





► **Accessories**

---

Item	Designation	Description
<b>Marking</b>		
0804853	SK 2,54/2,8:FORTL.ZAHLEN	Marker card, printed horizontally, self-adhesive, 10-section marker strip, 12 identical decades marked 1-10, 11-20 etc. up to 91-100, sufficient for 120 terminal blocks
<b>Plug/Adapter</b>		
1881435	CP-MC 0,5	Coding section, is inserted into the groove in the header, red insulating material

---

---

► **Additional products**

---

Item	Designation	Description
<b>General</b>		
1881367	FK-MC 0,5/ 6-ST-2,5	Plug component, nominal current: 4 A, rated voltage: 80 V, pitch: 2.5 mm, no. of positions: 6, type of connection: Spring-cage connection

---

## ► Address

---

PHOENIX CONTACT Inc., USA  
586 Fulling Mill Road  
Middletown, PA 17057  
USA  
Phone (800) 888-7388  
Fax (717) 944-1625  
<http://www.phoenixcon.com>  
Phoenix Contact  
Technical modifications reserved;